

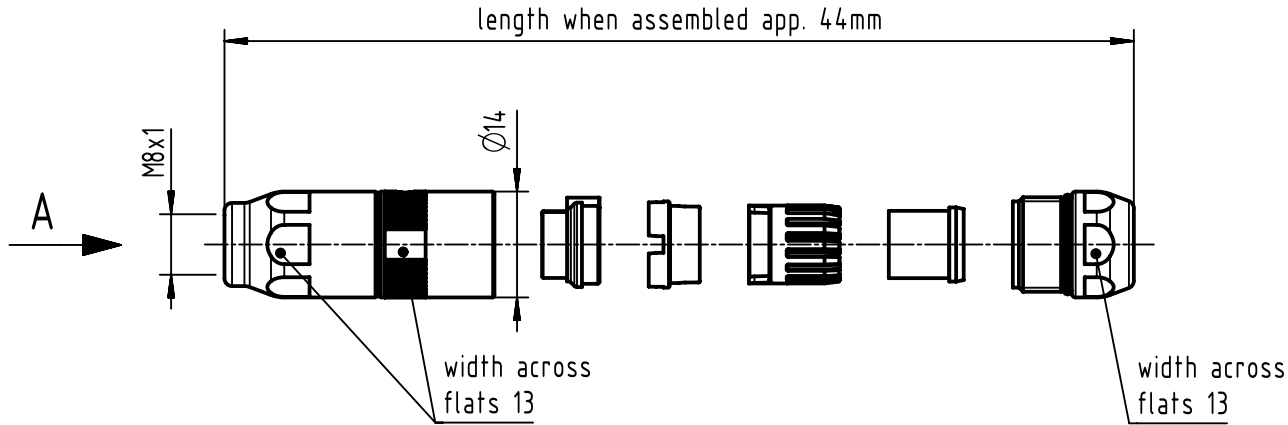
1 2 3 4 5 6

A

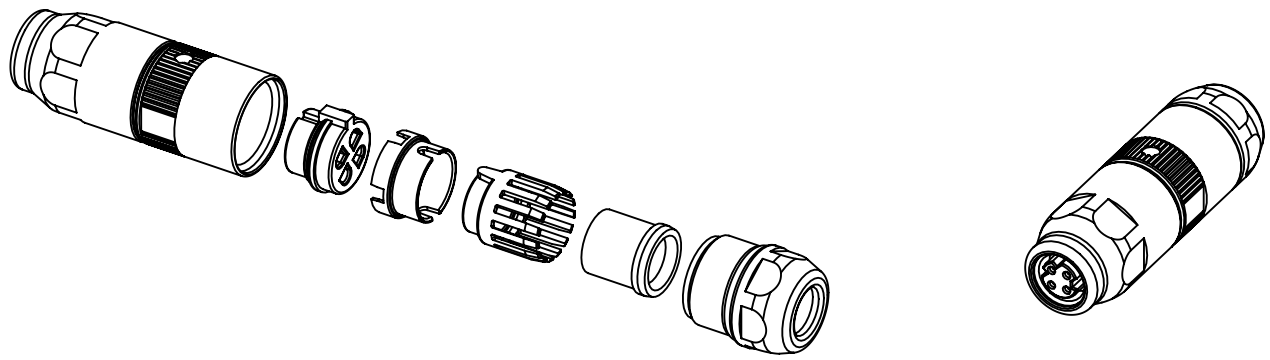
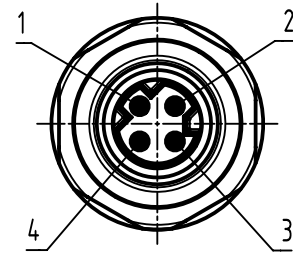
B

C


D



A (2:1)
contact face acc. to
IEC 61076-2-114



conductor cross section	AWG22
cable outside diameter	6.2 - 6.8mm

	All rights reserved Department EL PD HARTING Electronics GmbH D-32339 Espelkamp	All Dimensions in mm Original Size DIN A4	Scale 1:1	Free size tol.	Ref. Sub.
		Created by BUSSMANN	Inspected by FRIESENH	Standardisation 302077	Date 2020-12-04
Title M8-CC-IDC-4P-DCOD-F-STR-SHLD					Doc-Key / ECM-Nr. 100778806/UGD/001/B 500000184191
			Type TB	Number 21021852405	Rev. B
					Page 1/1